

Inlet Filter Silencers/ Silencers

Technical Data



	pg. 2-2
Miniature Filter Silencers	
FS Series 1/4" - 1" MPT, 4 - 35 SCFM	pg. 2-4
PS Series 1/8" - 1" MPT, 3 - 35 SCFM	pg. 2-5
Compact Filter Silencers	
FS Series: 1/2" - 6" MPT, 10 - 1100 SCFM	pg. 2-6
FS Series: 4"-6" FLG, 520 - 1100 SCFM	pg. 2-7
Big Boy Filter Silencers	
FS Series: 6" - 14" FLG, 1100 - 6000 SCFM	pg. 2-8
Side Channel Blower Silencers:	
SLCR Series: 1/2" - 4", 42 - 575 SCFM	pg. 2-9
Compact Silencer Filters for Blowers	
QB Series: 2" - 3" MPT, 135 - 300 SCFM	pg. 2-10
2G Series: 3" - 6" MPT/FLG, 300-1100 SCFM	pg. 2-10
Big Boy Silencer Filters for Blowers	
2G Series: 8" - 12" FLG, 1600 - 4700 SCFM	pg. 2-11
LQB Series	
Blower Market Solutions: Silencer Base Frames	
BBF Series: 2" - 6", 135 - 1100 SCFM	pg. 2-12
Lateral Access Filter Silencers	pg. 2-14
Sumo Class Filter Silencers Up to 8000 SCFM	pg. 2-15
Multibarrel Filter Silencers: Up to 25000 SCFM	pg. 2-15



Technical Data

Inlet Filter Silencers/Silencers



Applications & Equipment

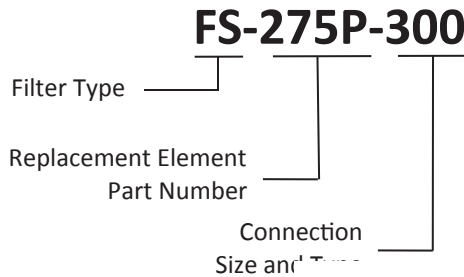
- Industrial & Severe Duty
- Blowers - Side Channel & P.D.
- Breathers
- Fuel Cells
- Piston Compressors
- Screw Compressors
- Centrifugal Compressors
- Hydraulic Breathers – fine filtration
- Engines
- Fans
- Vacuum Pumps & Systems
- Construction\Contractor Industry
- Medical
- Pneumatic Conveying
- Waste Water Aeration
- Sparging
- Factory Air
- Vacuum Vent Breathers
- Cement Processing
- Power Plants
- Centralized Air Intakes

Identification

Standard Solberg assemblies should have an identification label/nameplate that gives the following information:

Assembly Model #
Replacement Element #

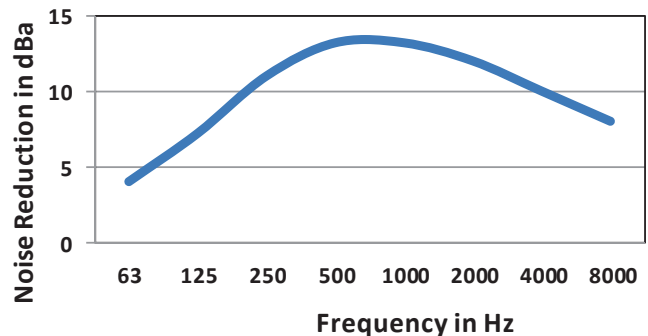
The part number designates the filter type, the element configuration and housing connection size. For example, the following part number identifies the filter as being a “FS” design filter with a “275” element, “P” prefilter and 3” MPT connection size.



Typical Noise Attenuation

See chart for typical noise attenuation for filter silencers. It may vary due to the wide range of applications, installations, and machines.

Typical Noise Attenuation



Choosing the Best Filter for your Equipment

- A. Connection & Airflow Known: When the connection & airflow is known:
1. Select appropriate connection style. (i.e.: MPT, Flange, NPSC, etc.)
 2. Check assembly SCFM (flow) rating. Compare with your required airflow. (Note: Assembly flow ratings are based on 6,000 FPM or 30m/sec for a given connection size to achieve low pressure drop performance. When required flow exceeds assembly flow rating, the pressure drop through the outlet connection will increase. In such cases select by element SCFM (flow) rating.)
 3. When required flow rating matches connection size; skip to “C. Selecting Elements”.
- B. Unknown Connection: When the connection size is unknown, flexible, or the required flow rating exceeds assembly flow rating:
1. Match required flow rating with the element flow rating.
 2. Choose related connection size.
- C. Selecting Elements: The filter performance is influenced by the actual application duty and the equipment it is installed on. Regular maintenance checks and proper servicing is required.

Application Duty Descriptions:

Industrial Duty: Clean workshop or clean outdoor environment - small element sizing is sufficient.

Severe Duty: Dirty workshop, wastewater – medium to large element is recommended.

Extreme Duty: Cement, steel making, plastics or dusty material conveying – Largest element sizing is recommended.

1. Select media required by your application. Options include:
 - a. Standard media
 1. Polyester: All purpose; it withstands pulses, moisture and oily air
 2. Paper: Mostly dry, smooth flow applications
 - b. Special Media: For a variety of micron levels and media types, see the “Filter Media Specifications” in the Replacement Element Section or contact Solberg.
2. Select element size by matching the element with the anticipated duty and upsize accordingly.

Filter Assembly Maintenance

Request the appropriate maintenance manual for more in-depth information from your Solberg representative or through www.solbergmfg.com.

Element Maintenance

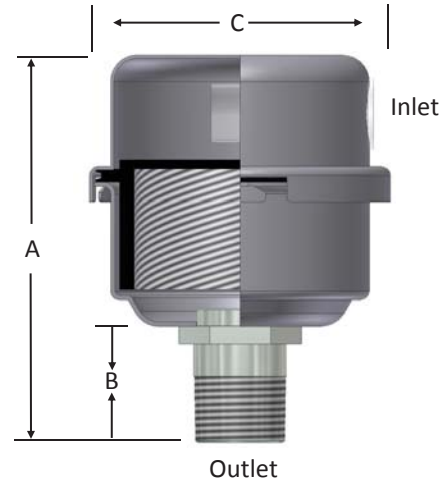
Solberg elements should be replaced once the pressure drop reaches 15-20” H₂O above the initial pressure drop of the installation. Cleaning an element is also an option.

Solberg recommends replacing dirty elements for optimal performance. Any damage which results from by-pass or additional pressure drop created by element cleaning is the sole responsibility of the operator.

Note: The overall performance of a filter element is altered once cleaned. The initial pressure drop after subsequent cleanings will be greater than the original, clean pressure drop of the element. After each cleaning, the pressure drop will continue to increase. Under all circumstances, the initial pressure drop of the element needs to be maintained at less than 15” H₂O.

If the pressure drop exceeds 20” H₂O at start-up; it should be replaced with a new element. With many types of equipment, the maximum pressure drop allowed will be dictated by the ability of the equipment to perform to its rated capacity. Under all circumstances, the operator should avoid exceeding the manufacturer’s recommended maximum pressure drop for their specific equipment.

Miniature Filter Silencers FS Series 1/4" - 1" MPT



Filter Silencers

Features

- High grade filter element with integrated gasket seal
- Fully drawn weatherhood
- Tubular silencing design - tube maximizes attenuation and air flow while minimizing pressure drop
- Corrosion resistant carbon steel construction
- Black powder coat finish
- Ability to mount vertically and horizontally

Technical Specifications

- Temp (continuous): min -15°F (-26°C) max 220°F (104°C)
- Filter change out differential: 15-20" H₂O over initial Δ P
- Polyester: 99%+ removal efficiency standard to 25 micron
- Paper: 99%+ removal efficiency standard to 2 micron
- Pressure drop graphs available upon request

Options

- Various media for different environments
- Straight through configuration
- Various nonstandard finishes and connection styles

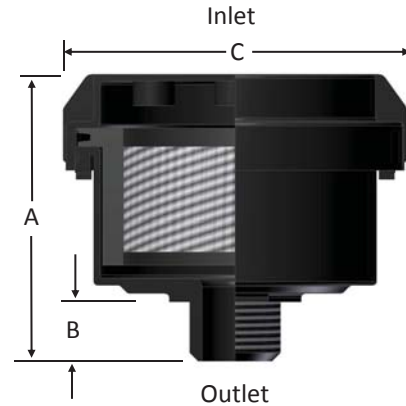
MPT Outlet	Assembly SCFM Rating	Assembly Part Number		Dimensions - inches			No. of Silencing Tubes	Approx. Wt. lbs.	Replacement Element Part No.		Element SCFM Rating
		Polyester	Paper	A	B	C			Polyester	Paper	
1/4"	4	FS-05-025	FS-04-025	2 3/4	11/16	2 1/2	1	0.25	05	04	8
3/8"	8	FS-05-038	FS-04-038	2 3/4	11/16	2 1/2	1	0.25	05	04	8
3/8"	8	FS-07-038	FS-06-038	3 9/16	11/16	3 1/4	1	0.50	07	06	12
1/2"	8	FS-05-050	FS-04-050	3	7/8	2 1/2	1	0.25	05	04	8
1/2"	12	FS-07-050	FS-06-050	3 3/4	7/8	3 1/4	1	0.50	07	06	12
1/2"	12	FS-11-050	FS-10-050	4 3/16	7/8	4 1/4	1	1	11	10	35
3/4"	12	FS-07-075	FS-06-075	4 1/8	1 1/4	3 1/4	1	0.50	07	06	12
3/4"	25	FS-11-075	FS-10-075	4 1/2	1 1/4	4 3/16	1	1	11	10	35
1"	35	FS-11-100	FS-10-100	4 1/2	1 1/4	4 3/16	1	1	11	10	35

See Filter Silencer Technical Data section for sizing guidelines.

Tidbit: Charlie Solberg Jr. created a patented process to manufacture our Hockey Puck Style Filter Elements that are used in these housings.



Miniature Plastic Filter Silencers PS Series 1/8" - 1" MPT



Filter Silencers

Features

- Easy snap-on design for quick servicing
- Durable glass reinforced nylon housing
- Compact, low profile configuration
- Noise reducing silencing design
- High grade filter element with integrated gasket seal

Benefits

- Longer element life with maximized surface area
- Cost efficient solution
- Low restriction improves equipment performance

Technical Specifications

- Temp (continuous): min -15°F (-26°C) max 220°F (104°C)
- Filter change out differential: 15-20" H₂O over initial Δ P
- Pressure drop graphs available upon request
- Polyester: 99%+ removal efficiency standard to 25 micron
- Paper: 99%+ removal efficiency standard to 2 micron

Options

- Various media for different environments

MPT Outlet	Assembly SCFM Rating	Assembly Part Number		Dimensions - inches			Approx. Wt. lbs	Replacement Element Part No.		Element SCFM Rating	
		Polyester	Paper	A	B	C		Polyester	Paper		
1/8"	3	PS-03-013	PS-02-013	1 3/4	7/16	1 3/4	0.05	03	02	3	
1/4"	3	PS-03-025	PS-02-025	1 3/4	7/16	1 3/4	0.05	03	02	3	
1/4"	4	PS-05-025	PS-04-025	2 1/8	1/2	2 5/8	0.09	05	04	8	
3/8"	6	PS-05-038	PS-04-038	2 3/16	1/2	2 5/8	0.09	05	04	8	
1/2"	6	PS-05-050	PS-04-050	2 3/16	1/2	2 5/8	0.09	05	04	8	
1/2"	10	PS-07-050	PS-06-050	*	3 1/8	11/16	3 1/4	0.20	07	06	12
1/2"	12	PS-11-050	PS-10-050	*	3 1/4	11/16	4 1/8	0.30	11	10	35
3/4"	12	PS-07-075	PS-06-075	*	3 1/4	1	3 1/4	0.30	07	06	12
3/4"	20	PS-11-075	PS-10-075	*	3 1/2	1	4 1/8	0.35	11	10	35
1"	35	PS-11-100	PS-10-100	*	3 3/4	1 1/4	4 3/16	0.40	11	10	35

* Contact factory for availability and lead times.

See Filter Silencer Technical Data section for sizing guidelines.

Compact Filter Silencers

FS Series 1/2"-6" MPT, 4"-6" FLG



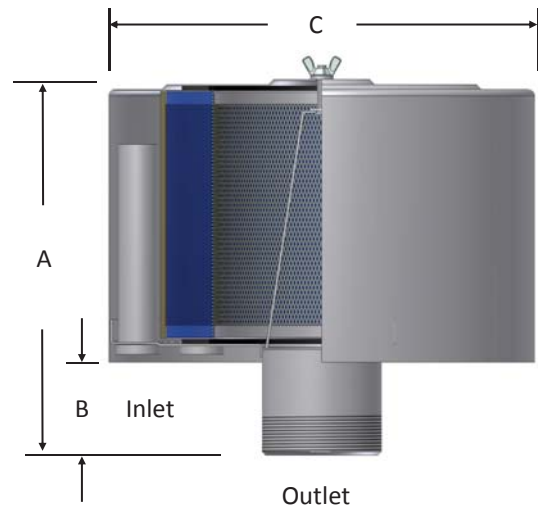
Filter Silencers

Features

- Fully drawn weatherhood
- Tubular silencing design - tubes are positioned to maximize attenuation and air flow while minimizing pressure drop
- Corrosion resistant carbon steel construction
- Powder coat finish

Technical Specifications

- Temp (continuous): min -15°F (-26°C) max 220°F (104°C)
- Filter change out differential: 15-20" H₂O over initial ΔP
- Pressure drop graphs available upon request
- Polyester: 99%+ removal efficiency standard to 5 micron
- Paper: 99%+ removal efficiency standard to 2 micron



Options



- Tap holes available
- Pressure drop indicator (See page 3-12)
- Various media for different environments
- Stainless steel construction
- Various nonstandard finishes and connection styles
- Side Access Silencer Filters (LQB Series) for space restricted enclosures (select models)

Tidbit: Charlie Solberg Sr. "Senior" designed our first filter silencer in 1966. The FS-15 size filter was created for small air compressors.

MPT Outlet Assemblies

MPT Outlet	Assembly SCFM Rating	Assembly Part Number		Dimensions - inches			No. of Silencing Tubes	Approx. Wt. lbs	Replacement Element Part No.		Element SCFM Rating
		Polyester	Paper	A	B	C			Polyester	Paper	
1/2"	10	FS-15-050	FS-14-050	3 7/16	1	6	1	2	15	14	35
3/4"	25	FS-15-075	FS-14-075	4	1 1/4	6	2	2	15	14	35
1"	35	FS-15-100	FS-14-100	4	1 5/16	6	3	2	15	14	35
1"	55	FS-19P-100	FS-18P-100	6 3/8	1 4/16	6	3	3	19P	18P	100
1 1/4"	70	FS-19P-125	FS-18P-125	6 3/4	1 5/8	6	5	3	19P	18P	100
1 1/2"	85	FS-19P-150	FS-18P-150	6 3/4	1 5/8	6	5	4	19P	18P	100
2"	135	FS-31P-200	FS-30P-200	7 1/2	2 3/8	10	5	8	31P	30P	195
2"	135	FS-31P-200	FS-230P-200	12	2 3/8	10	5	14	231P	230P	300
2 1/2"	195	FS-31P-250	FS-30P-250	7 1/2	2 1/2	10	5	8	31P	30P	195
2 1/2"	195	FS-231P-250	FS-230P-250	12 3/8	2 5/8	10	9	15	231P	230P	300
3"	300	FS-231P-300	FS-230P-300	12 3/4	3 1/8	10 1/4	9	15	231P	230P	300
3"	300	FS(12)-235P-300	FS(12)-234P-300	12 7/8	2 11/16	12 1/4	3	29	235P	234P	570
3"	300	FS-275P-300	FS-274P-300	13	3	16	9	33	275P	274P	1100
4"	520	FS(12)-235P-400	FS(12)-234P-400	13 7/8	3 11/16	12 1/4	6	29	235P	234P	570
4"	520	FS-275P-400	FS-274P-400	14	4	16	9	34	275P	274P	1100
5"	800	FS-245P-500	FS-244P-500	14	4 1/8	16	14	33	245P	244P	880
5"	800	FS-275P-500	FS-274P-500	14	4 1/8	16	14	36	275P	274P	1100
6"	1100	FS-275P-600	FS-274P-600	15	5 1/8	16	18	38	275P	274P	1100

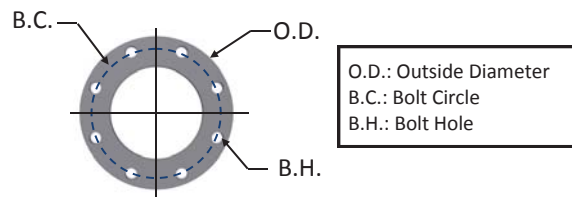
See Filter Silencer Technical Data section for sizing guidelines.

Flange Outlet Assemblies

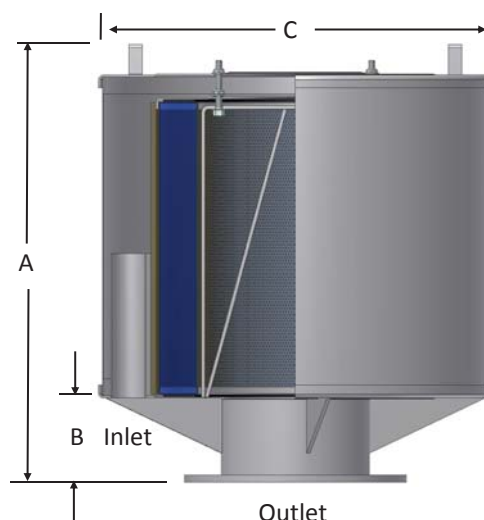
Flange Outlet	Assembly SCFM Rating	Assembly Part Number		Dimensions - inches			No. of Silencing Tubes	Approx. Wt. lbs	Replacement Element Part No.		Element SCFM Rating
		Polyester	Paper	A	B	C			Polyester	Paper	
4"	520	FS(12)-235P-400F	FS(12)-234P-400F	13 7/8	3 11/16	12 1/4	6	32	235P	234P	570
4"	520	FS-275P-400F	FS-274P-400F	14	4	16	9	39	275P	274P	1100
5"	800	FS-245P-500F	FS-244P-500F	14	4 1/8	16	14	38	245P	244P	880
5"	800	FS-275P-500F	FS-274P-500F	14	4 1/8	16	14	41	275P	274P	1100
6"	1100	FS-275P-600F	FS-274P-600F	15	5 1/8	16	18	42	275P	274P	1100

See Filter Silencer Technical Data section for sizing guidelines.

125/150# Pattern Flg	Dimensions - inches			No. of Holes	Flange Thickness
	O.D.	B.C.	B.H.		
4"	9	7 1/2	0.75	8	0.5
5"	10	8 1/2	0.88	8	0.5
6"	11	9 1/2	0.88	8	0.5



Big Boy Filter Silencers FS Series 6" to 14" FLG



Filter Silencers

Features

- Tubular silencing design - tubes are positioned to maximize attenuation and air flow while minimizing pressure drop
- Corrosion resistant carbon steel construction
- Powder coat finish
- Low pressure drop center bracket & outlet pipe design

Options



- Tap holes available
- Pressure drop indicator (See page 3-12)
- Various media for different environments
- Stainless steel construction

Technical Specifications

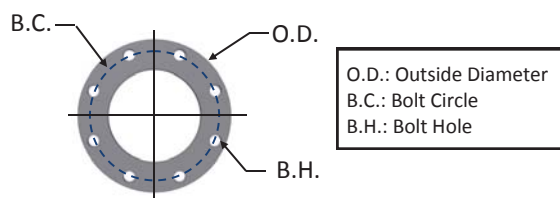
- Temp (continuous): min -15°F (-26°C) max 220°F (104°C)
- Filter change out differential: 15-20" H₂O over initial Δ P
- Pressure drop graphs available upon request
- Polyester: 99%+ removal efficiency standard to 5 micron
- Paper: 99%+ removal efficiency standard to 2 micron

- Various nonstandard finishes and connection styles
- Side Access Silencer Filters (LQB Series) for space restricted enclosures (select models)

Flange Outlet	Assembly SCFM Rating	Assembly Part Number		Dimensions - inches			No. of Silencing Tubes	Approx. Wt. lbs	Replacement Element Part No.		Element SCFM Rating
		Polyester	Paper	A	B	C			Polyester	Paper	
6"	1100	FS-377P-600F	FS-376P-600F	22 11/16	5 1/4	21 7/8	6	95	377P	376P	1825
8"	1800	FS-377P-800F	FS-376P-800F	23 1/2	6	21 7/8	12	105	377P	376P	1825
8"	1800	FS-385P-800F	FS-384P-800F	24	6	28 5/16	12	125	385P	384P	3295
10"	3300	FS-385P-1000F	FS-384P-1000F	23 1/2	6	28 5/16	16	130	385P	384P	3295
10"	3300	FS-485P-1000F	FS-484P-1000F	31 1/2	6	28 5/16	16	143	485P	484P	4705
12"	4700	FS-485P-1200F	FS-484P-1200F	31 1/2	6	28 5/16	24	155	485P	484P	4705
12"	4700	FS-685P-1200F	FS-384P(2)-1200F	38 1/2	6	28 5/16	24	175	685P	384P (2)	6600
14"	6000	FS-485P(2)-1400F	FS-484P(2)-1400F	53 5/16	6	28 5/16	18	245	485P (2)	484P (2)	9410

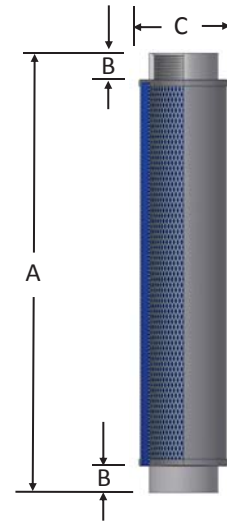
See Filter Silencer Technical Data section for sizing guidelines.

125/150# Pattern Flg	Dimensions - inches			No. of Holes	Flange Thickness
	O.D.	B.C.	B.H.		
6"	11	9 1/2	0.88	8	0.5
8"	13 1/2	11 3/4	0.88	8	0.5
10"	16	14 1/4	1	12	0.5
12"	19	17	1	12	0.5
14"	21	18 3/4	1 1/8	12	0.5



O.D.: Outside Diameter
B.C.: Bolt Circle
B.H.: Bolt Hole

Note: Model offerings and design parameters may change without notice. See www.solbergmfg.com for most current offering.



Features

- Layered sound absorbent media
- Designed for minimal pressure drop; baffles, internal tubes, and other restrictive devices are unnecessary
- For inlet and discharge inline air service
- Corrosion resistant carbon steel construction
- Powder coat finish: 1/2" to 1-1/2"
- Epoxy coat finish: 2" to 4"

Technical Specifications

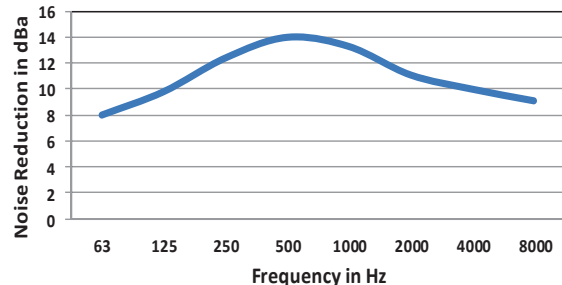
- Max. temperature (continuous): 225°F (107°C)
- Due to the wide range of equipment and environments; please contact factory for typical noise attenuation for your application.

Options

- Flange adapters
- Larger sizes
- Special connections
- Hi-temp models

Inlet/Outlet		Assembly	Part Number	Dimensions - inches			Approx. Wt. lbs.
Size	Type	SCFM Rating		A	B	C	
1"	NPSC	42	SLCR100	12	3/4	2 5/8	2
1 1/4"	NPSC	55	SLCR125	12	3/4	2 5/8	2
1 1/2"	NPSC	155	SLCR150	12	3/4	2 5/8	3
2"	NPSC	270	SLCR200	15 3/4	3/4	3 5/8	4
2 1/2"	FPT	385	SLCR250	20 7/8	1 1/4	4 5/8	8
3"	FPT	575	SLCR300	26	1 9/16	5 3/16	10
4"	FPT	575	SLCR400	24 11/16	1 3/4	10	26
1/2"	MPT	25	SLCRT050	13 7/8	2	2 5/8	2
3/4"	MPT	35	SLCRT075	14 1/2	2	2 1/2	2
1"	MPT	42	SLCRT100	14 1/2	2	2 1/2	2
1 1/4"	MPT	55	SLCRT125	14 1/2	2	2 5/8	2
1 1/2"	MPT	155	SLCRT150	14	1 3/4	2 5/8	3
2"	MPT	270	SLCRT200	18 1/2	2 1/8	3 5/8	4
2 1/2"	MPT	385	SLCRT250	23 11/16	2 5/8	4 5/8	8
3"	MPT	575	SLCRT300	28	2 5/8	5 1/8	10
4"	MPT	575	SLCRT400	29 5/16	4	10	26

Typical Noise Attenuation



- Noise attenuation may vary due to the wide range of applications and machines

Heavy Duty Silencer Filters for Blowers

2G Series 3"-4" MPT, 4"-12" FLG



QB Series 2" - 3" MPT



Filter Silencers

Benefits

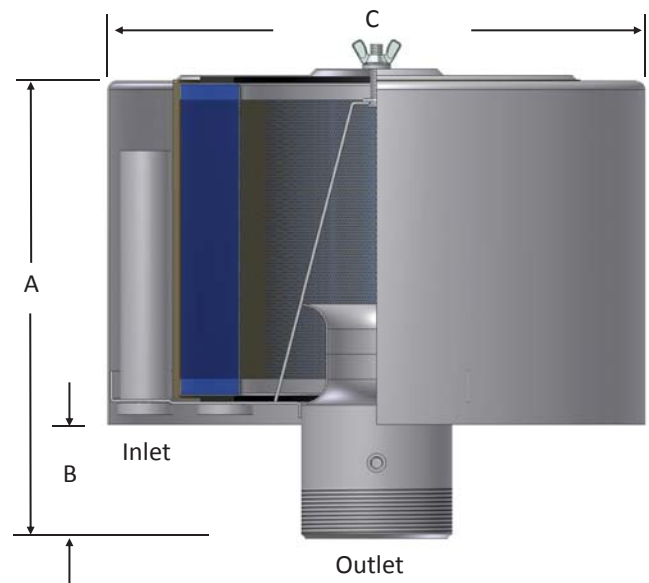
- Overall cost of the blower package is dramatically lowered
- Differentiate your blower package from "traditional"
- The number of costly components in a system are reduced, shrinking the footprint.
- Power consumption (amp draw) is reduced allowing for increased performance and lower pressure drop is achieved with the removal unnecessary components.
- Material, handling, labor & freight costs are minimized.

Features

- Fully drawn carbon steel weatherhood (2" to 6" connections only)
- Multiple silencing features to reduce and deaden sound
 - Tubular Silencing - Tubes placed to maximize attenuation
 - Quiet Band Support - "Quiet band" technology utilizes sound suppression in the design of the housing
- Internal Silencer - Center tubular silencer (2G Series only)
- 1/8" tap hole standard (2G Series only)

Technical Specifications

- Temp (continuous): min -15°F (-26°C) max 220°F (104°C)
- Filter change out differential: 15-20" H₂O over initial ΔP
- Pressure drop graphs available upon request
- Polyester: 99%+ removal efficiency standard to 5 micron
- Paper: 99%+ removal efficiency standard to 2 micron



2G Series: 3" to 6"
Configuration

Options

- Pressure drop indicator
- Various media for different environments
- Stainless steel construction
- Various nonstandard finishes and connection styles
- Side Access Filter Silencers (LQB Series) for space restricted enclosures (select models)



SOLBERG® Heavy Duty Silencer Filters for Blowers

2G Series 3"-4" MPT, 4"-12" Flange

QB Series 2" - 3" MPT

QB Series: MPT Outlet Assemblies

MPT Outlet	Assembly SCFM Rating	Assembly Part Number		Dimensions - inches			No. of Silencing Tubes	Approx. Wt. lbs	Replacement Element Part No.		Element SCFM Rating
		Polyester	Paper	A	B	C			Polyester	Paper	
2"	135	QB-231P-200	QB-230P-200	11 7/8	2 3/8	10 1/4	5	15	231P	230P	300
2 1/2"	195	QB-231P-250	QB-230P-250	12	2 5/8	10 1/4	9	16	231P	230P	300
3"	300	QB-231P-300	QB-230P-300	13	3 1/8	10 1/4	9	16	231P	230P	300

2G Series: MPT Outlet Assemblies

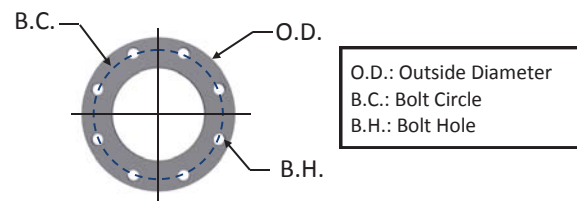
MPT Outlet	Assembly SCFM Rating	Assembly Model Number		Dimensions - inches			No. of Silencing Tubes	Approx. Wt. lbs	Replacement Element Part No.		Element SCFM Rating
		Polyester	Paper	A	B	C			Polyester	Paper	
3"	300	2G-275P-300	2G-274P-300	13	3	16	9	38	275P	274P	1100
4"	520	2G-275P-400	2G-274P-400	14	4	16	9	39	275P	274P	1100
5"	800	2G-275P-500	2G-274P-500	14	4	16	14	41	275P	274P	1100
6"	1100	2G-275P-600	2G-274P-600	15	5	16	18	42	275P	274P	1100

2G Series: Flange Outlet Assemblies

Flange Outlet	Assembly SCFM Rating	Assembly Part Number		Dimensions - inches			No. of Silencing Tubes	Approx. Wt. lbs	Replacement Element Part No.		Element SCFM Rating
		Polyester	Paper	A	B	C			Polyester	Paper	
4"	520	2G-275P-400F	2G-274P-400F	14	4	16	9	44	275P	274P	1100
5"	800	2G-275P-500F	2G-274P-500F	14	4	16	14	46	275P	274P	1100
6"	1100	2G-275P-600F	2G-274P-600F	15	5	16	18	47	275P	274P	1100
8"	1600	2G-377P-800F	2G-376P-800F	23 9/16	6 1/8	21 7/8	12	125	377P	376P	1825
8"	1800	2G-385P-800F	2G-384P-800F	24	6	28 5/16	12	130	385P	384P	3295
8"	1800	2G-485P-800F	2G-484P-800F	31 1/2	6	28 5/16	12	142	485P	484P	4705
10"	3300	2G-385P-1000F	2G-384P-1000F	23 1/2	6	28 5/16	16	135	385P	384P	3300
10"	3300	2G-485P-1000F	2G-484P-1000F	31 1/2	6	28 5/16	16	148	485P	484P	4705
12"	4700	2G-485P-1200F	2G-484P-1200F	31 7/16	6	28 5/16	24	160	485P	484P	4705
12"	4700	2G-685P-1200F	2G-384P(2)-1200F	38 1/2	6	28 5/16	24	180	685P	384P (2)	6600

See Filter Silencer Technical Data section for sizing guidelines.

125/150# Pattern Flg	Dimensions - inches			No. of Holes	Flange Thickness
	O.D.	B.C.	B.H.		
4"	9	7 1/2	0.75	8	0.5
5"	10	8 1/2	0.88	8	0.5
6"	11	9 1/2	0.88	8	0.5
8"	13 1/2	11 3/4	0.88	8	0.5
10"	16	14 1/4	1	12	0.5
12"	19	17	1	12	0.5



Note: Model offerings and design parameters may change without notice. See www.solbergmfg.com for most current offering.

Blower Market Solutions BBF Series 2"- 6"



A Wise Business Decision Cut Your Labor and Assembly Time

Filter Silencers

No Welding, Painting, Cutting, or Drilling Required

- **Maximize Productivity** - From junior to experienced technicians, assemble and ship blower packages faster with fewer resources
- **Significant Costs Savings** - Only one vendor needed to help you improve margins through lower labor and material handling costs, Solberg provides the complete solution
- **Engineering Support** - Design specifications and drawings are available to help you configure and present your package to your customers
- **Ultra Compact Design** - Integrated Discharge Silencer offers a low profile and small footprint
- **Build Your Sound Enclosure Competitively** - The compact design allows you to build significantly smaller and less costly enclosures to meet more stringent noise level requirements



Example of Silencer Base Frame Package

Solberg Kit Components:

Silencer Base Frame w/Pre-Assembled Rails, Easy Accessible Belt Guard, Complete Hardware Kit, Assembly Instructions, Engineering Assistance upon request



Optional Accessory

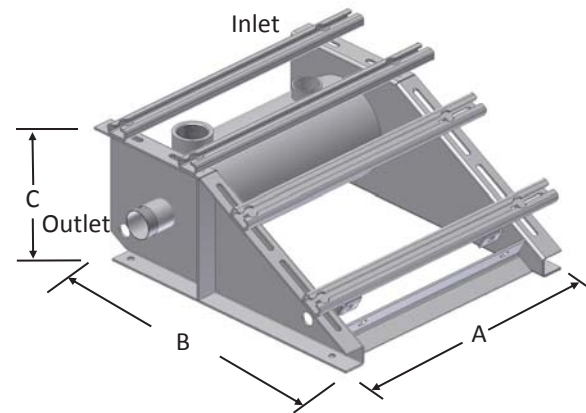
Solberg Filters and Silencers:

Protect your Investment
Premium Grade Silencer Filters /
Inlet Vacuum Filters





SOLBERG® Silencer Frames for Blower Packagers BBF Series 2" - 6"



Filter Silencers

Features

- Reactive style silencing design
- Integrated discharge silencer
- Adjustable motor supports for belt tensioning
- Pre-assembled rails to frame
- Corrosion resistant carbon steel construction
- External black powder coat finish

Benefits

- Compact design for small blower package footprint
- Low profile allows for easier maintenance inspections
- Quick installation time
- Cost Savings (Minimal packaging, freight & storage)
- Sound enclosures are more economical due to compact frame footprint
- Engineering support provided by Solberg for sizing specifications and specific requirements

Technical Specifications

- Pressure Rating: 14.7 psi
- Hardware Kit (SAE std. nuts, bolts, washers) included
- Ports for: relief valve, pressure & temperature gauges

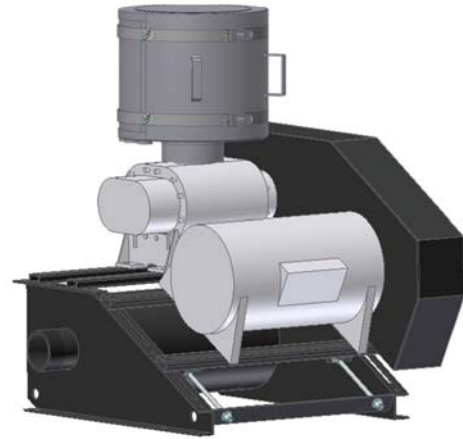
Options

- Purpose built belt guard
- Flexible boot kit (clamp, flex adapter)
- Flange adapters
- Snubber discharge silencer for vacuum applications
- Contact factory for best Solberg filter for your package

Pipe Stub Inlet	MPT Outlet	Nominal SCFM Rating	Part Number	Dimensions - inches			Relief Valve Port	Sugg. HP Range	Approx. Wt. lbs.	Belt Guard for BBF Series	
				A	B	C				Part No.	Approx. lbs.
2"	2"	135	BBF-200	26	30	12	2-1/2"	5-20	130	DL-200	20
2 1/2"	2 1/2"	195	BBF-250	26	30	12	2-1/2"	5-20	130	DL-200	20
3"	3"	300	BBF-300	30 1/2	35	15 3/16	2"	10-50	180	DL-300	23
4"	4"	520	BBF-400	30 1/2	35	15 3/16	2"	10-50	180	DL-300	23
6"	6" FLG	1100	BBF-600F	37 1/4	39 1/2	17 3/4	3"	20-60	398	DL-600	28

Note: Model offerings and design parameters may change without notice. See www.solbergmfg.com for most current offering.

Lateral Access Filter Silencer LQB Series



Example of Silencer Base Frame Package w/LQB

Features

- Multiple silencing features to reduce and deaden sound
 - Tubular Silencing - Tubes placed to maximize attenuation
 - Quiet Band Support - "Quiet band" technology utilizes sound suppression in the design of the housing
- Side access door with seal
- Corrosive resistant carbon steel construction
- Powder coat finish
- 1/8" tap hole
- Please contact Solberg for model offerings and availability.

Technical Specifications

- Temp (continuous): min -15°F (-26°C) max 220°F (104°C)
- Filter change out differential: 15-20" H2O over initial ΔP
- Pressure drop graphs available upon request
- Polyester: 99%+ removal efficiency standard to 5 micron
- Paper: 99%+ removal efficiency standard to 2 micron

Benefits

- Easy maintenance due to easy accessible element
- Compact housing design ideal for
 - Blower packages with enclosures
 - Space restricted work areas
- Cost savings due to smaller sound enclosure
- Differentiate your package from traditional
- Designed to be used with Solberg's BBF Series Silencer Base Frame

Options

- Various media for different environments
- Stainless steel construction
- Various nonstandard finishes and connection styles
- Pressure drop indicator (See page 3-11)

Why Solberg's LQB Series?

LQB Series helps make enclosures feasible and simplifies the maintenance process. Typical filter silencers require service area above the filter housing which increases the height and cost of the enclosure and makes servicing the unit difficult. The LQB Filter Silencer has an easy access side port which simplifies servicing and lowers the cost of your enclosure dramatically.



Examples of LQB Silencer Filter with and without filter element installed. Filter element easily slides out the side port for servicing.

Sumo Class Filter Features

- Single barrel filter design allows for large airflows in space restricted work areas
- 16" to 24" Flange connections available
- Tubular Silencing: Tubes positioned to maximize attenuation and air flow while minimizing pressure drop
- Low pressure drop housing construction
- Please contact Solberg for model offerings and availability.

Technical Specifications

- Designed for airflows up to 8000 SCFM
- Temp (continuous): min -15°F (-26°C) max 220°F (104°C)
- Filter change out differential: 15" - 20" H₂O over initial ΔP
- Polyester: 99%+ removal efficiency standard to 5 micron
- Paper: 99%+ removal efficiency standard to 2 micron



Options

- Tap holes
- Pressure drop indicator
- Various media for different environments
- Stainless steel construction
- Various nonstandard finishes and connection styles

Multibarrel Filter Silencers Features

- Designed for large airflow applications
- Cartridge style elements provide:
 - Increased reliability-better positive seal than panel filters
 - Added efficiency with maximum surface area
- 14" to 30" Flange connections available
- Tubular Silencing: Tubes positioned to maximize attenuation and air flow while minimizing pressure drop
- Multiple configurations allows for a variety of environments
- Durable carbon steel construction with powder coat finish
- Please contact Solberg for model offerings and availability.

Technical Specifications

- Designed for airflows up to 25000 SCFM
- Temp (continuous): min -15°F (-26°C) max 220°F (104°C)
- Filter change out differential: 15" - 20" H₂O over initial ΔP
- Polyester: 99%+ removal efficiency standard to 5 micron
- Paper: 99%+ removal efficiency standard to 2 micron



Options (Inquires Encouraged)

- Multiple manifold configurations
- Pressure drop indicator
- Support stands
- Stainless steel construction
- Epoxy coated finish